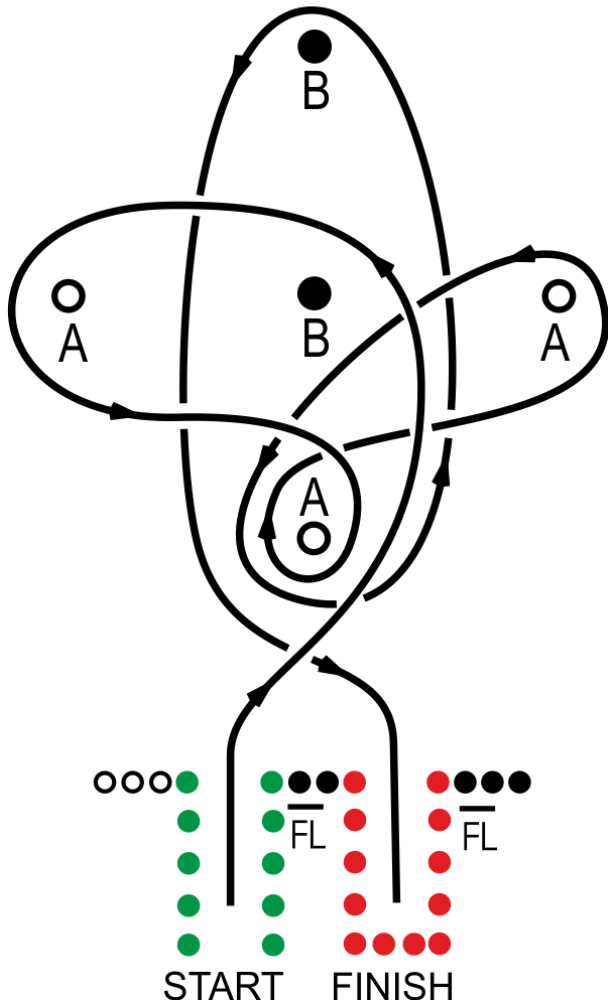
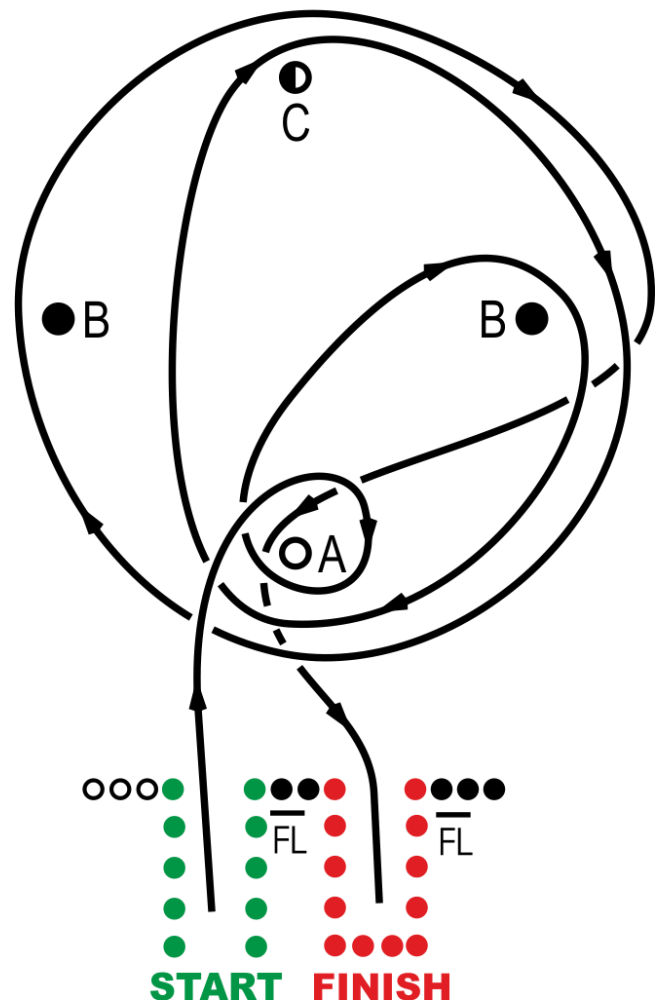


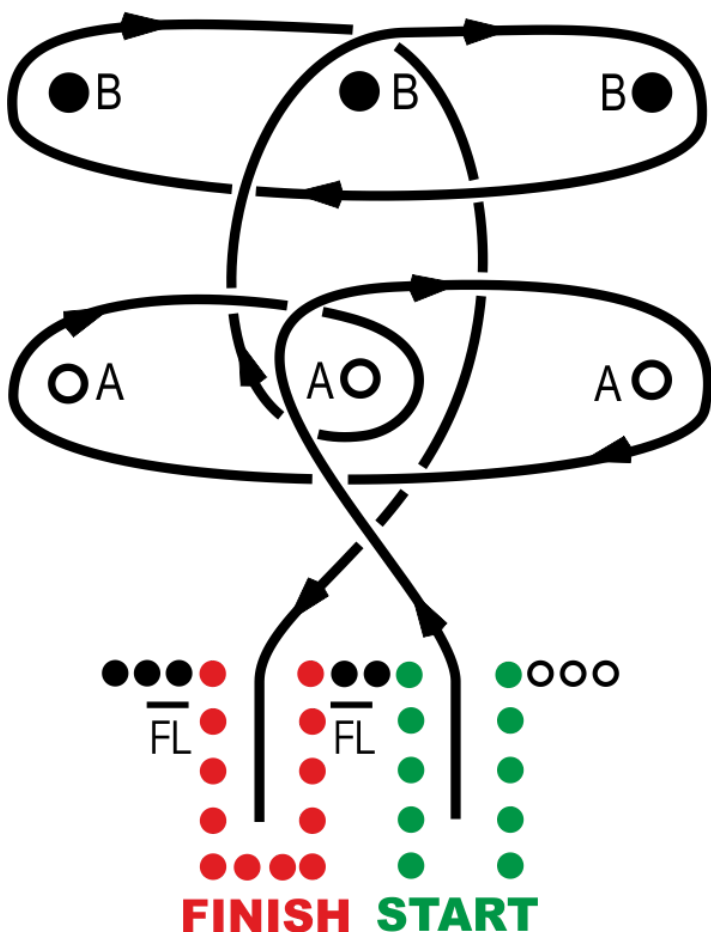
HAPPY BIRTHDAY



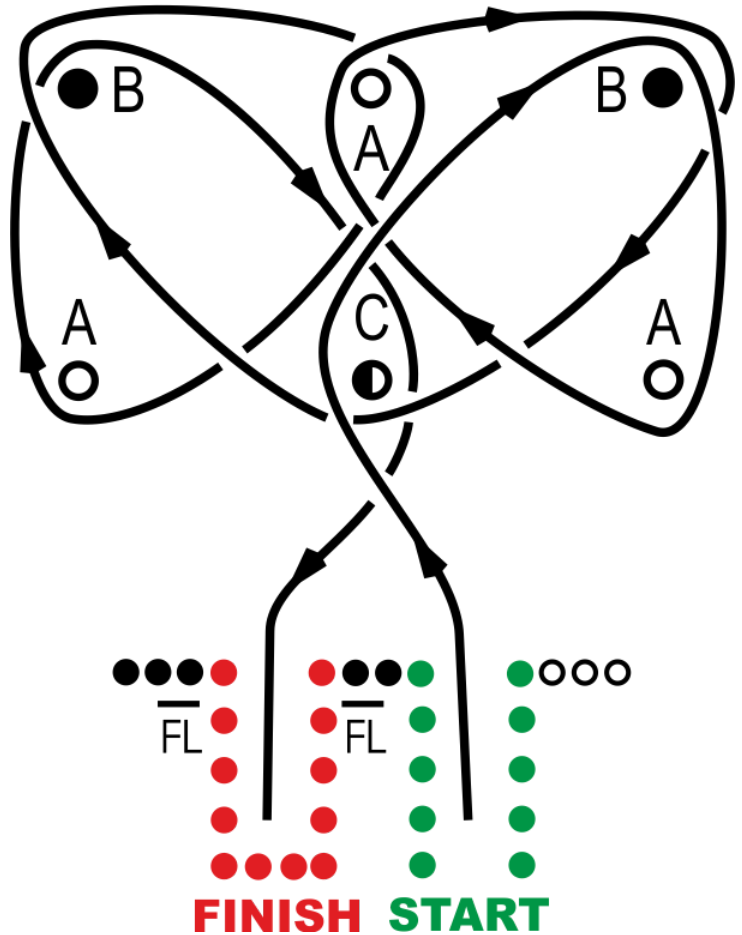
WORLD TOUR



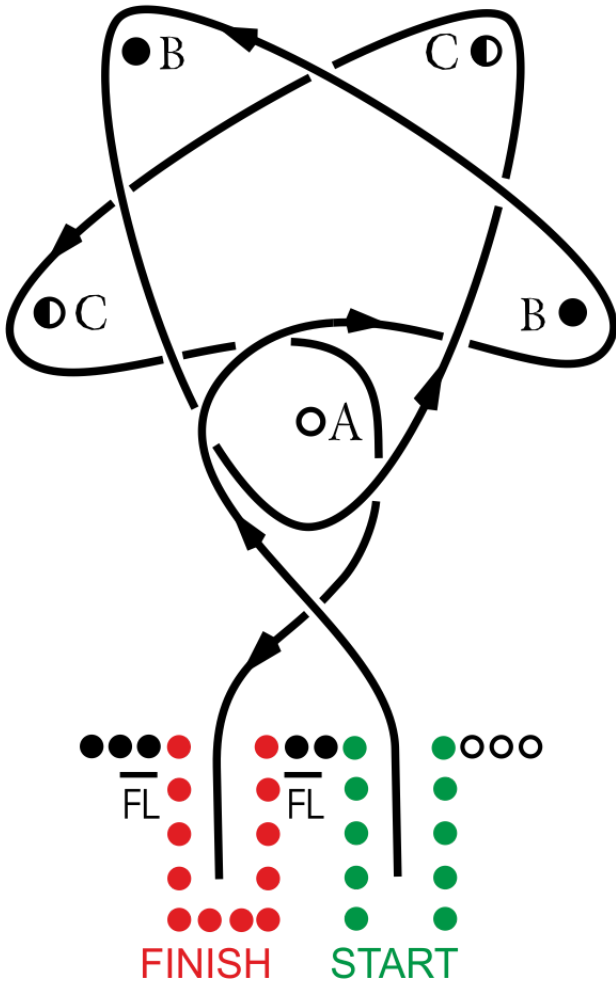
DOUBLE LOOP



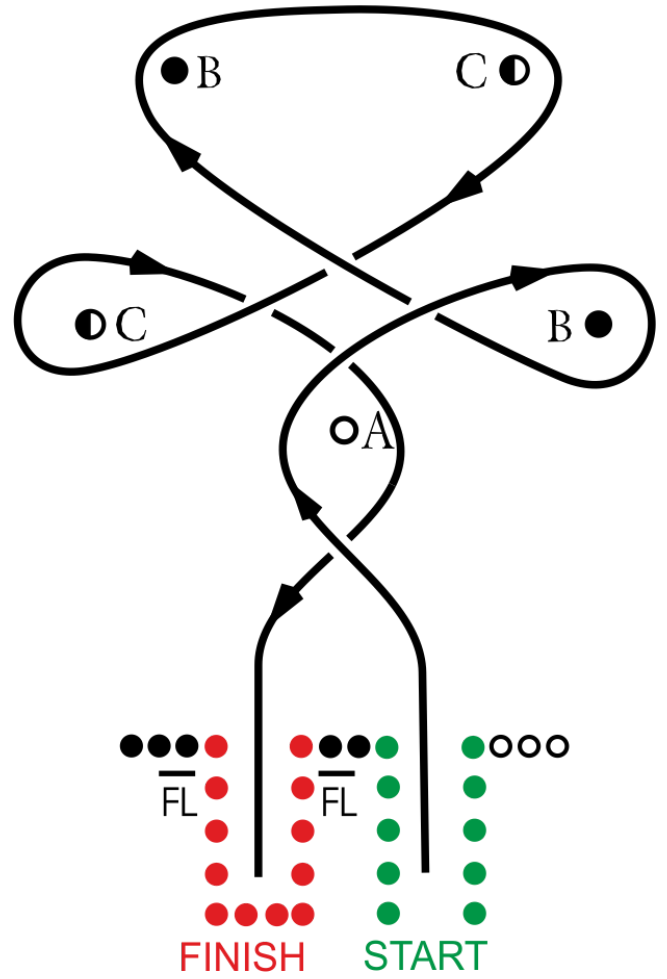
TRY ANGLES



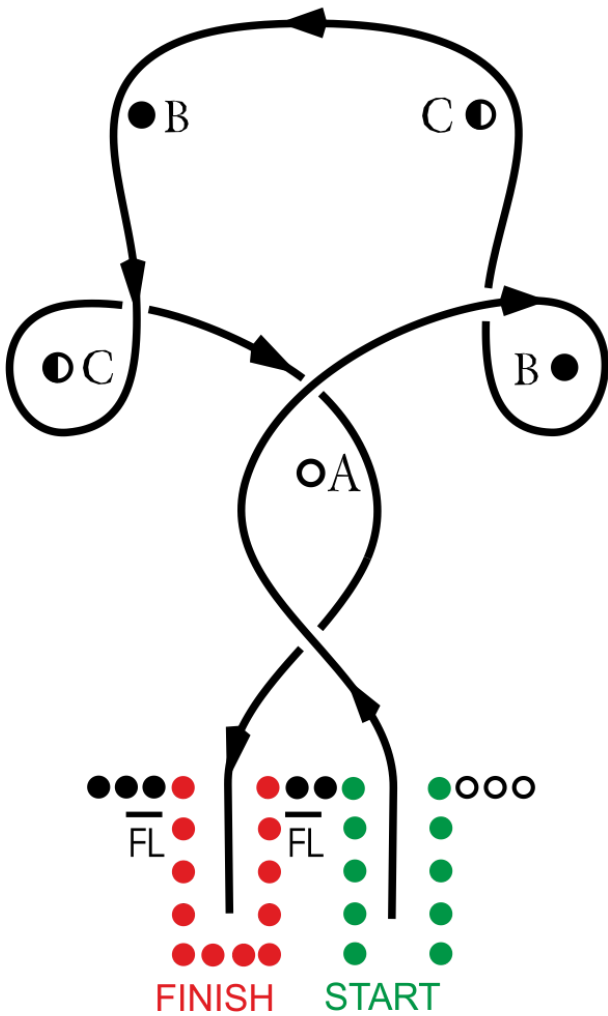
STAR



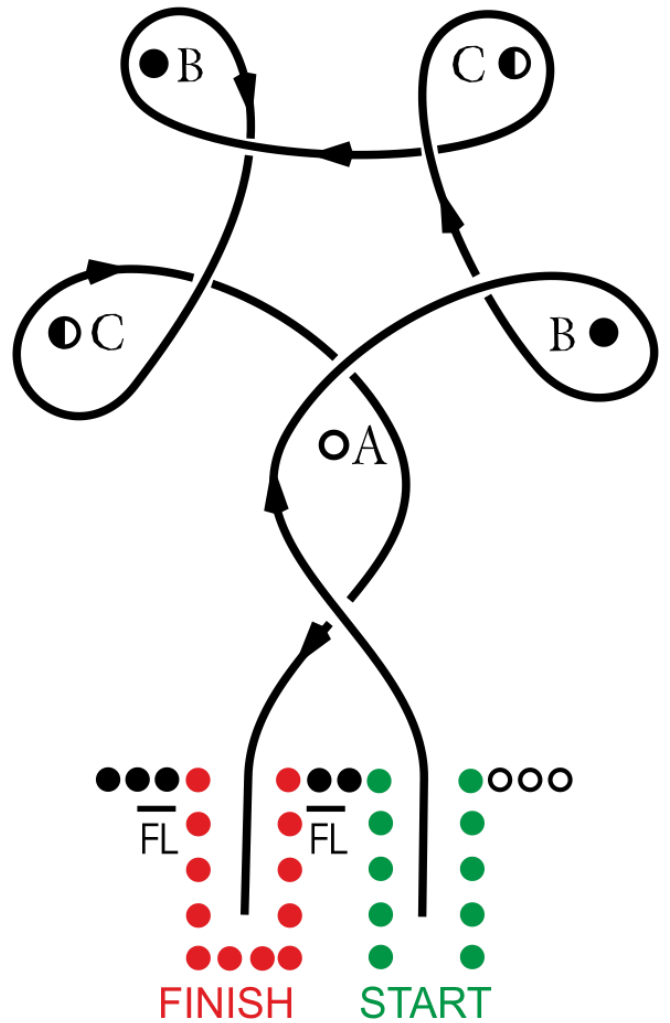
TOP HAT



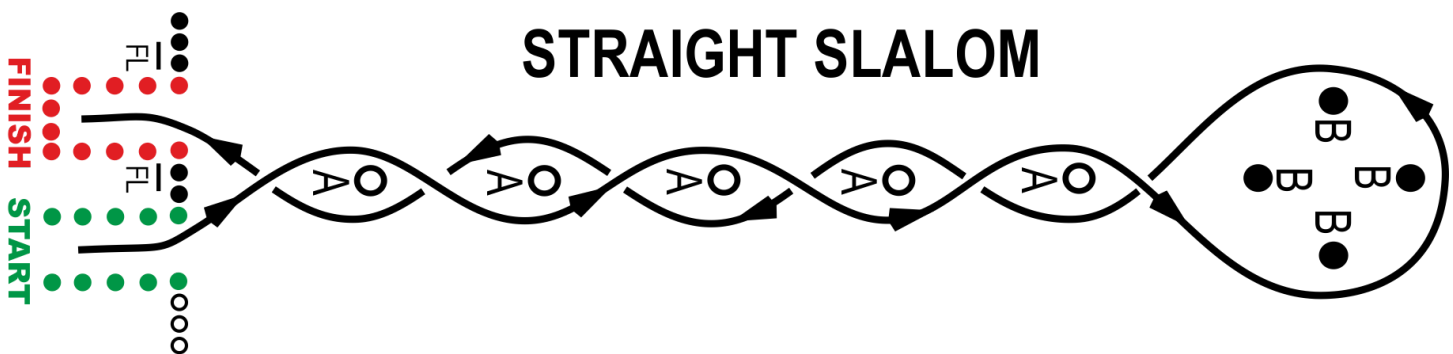
BOWLER



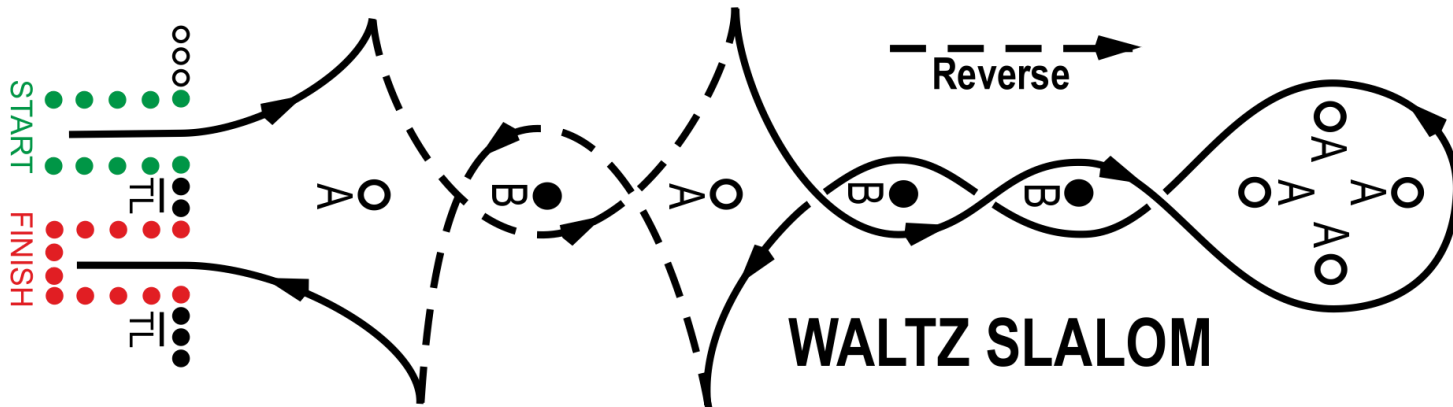
PENTAGON



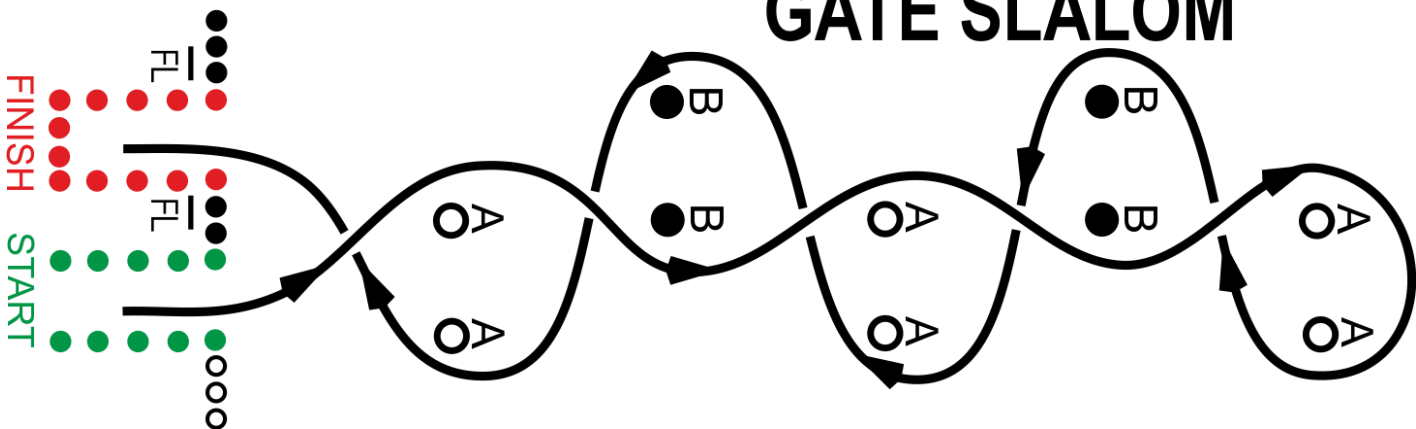
STRAIGHT SLALOM



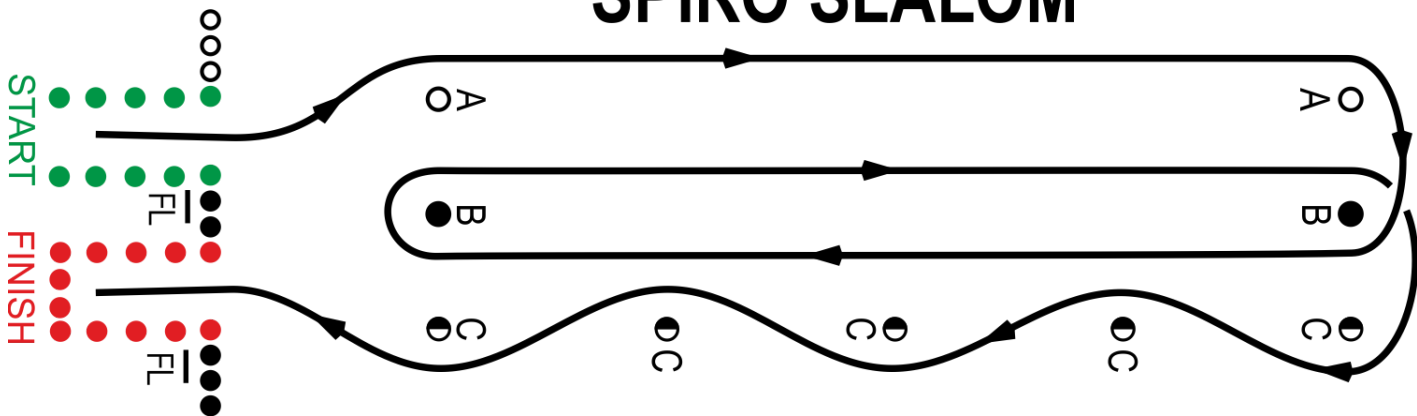
WALTZ SLALOM



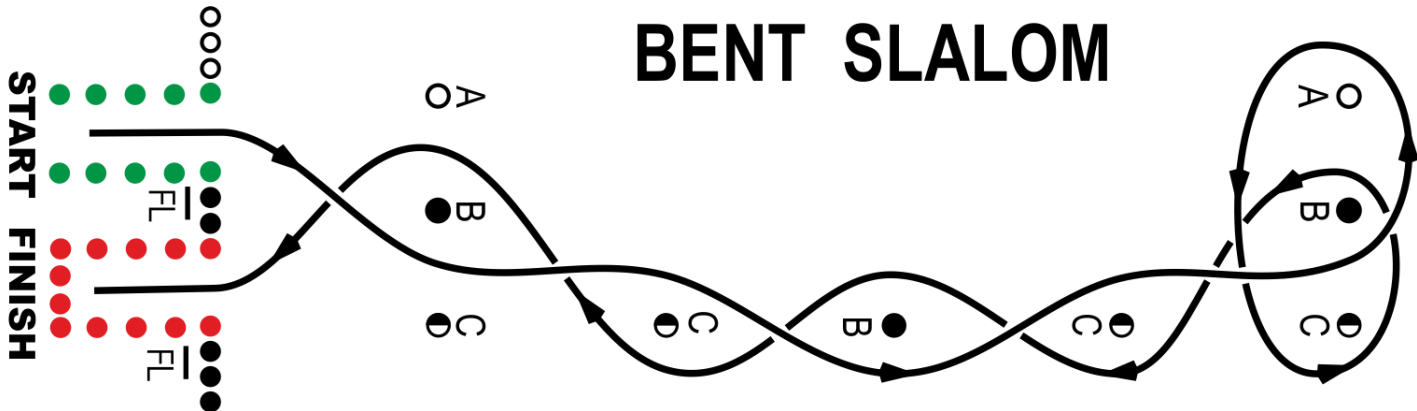
GATE SLALOM



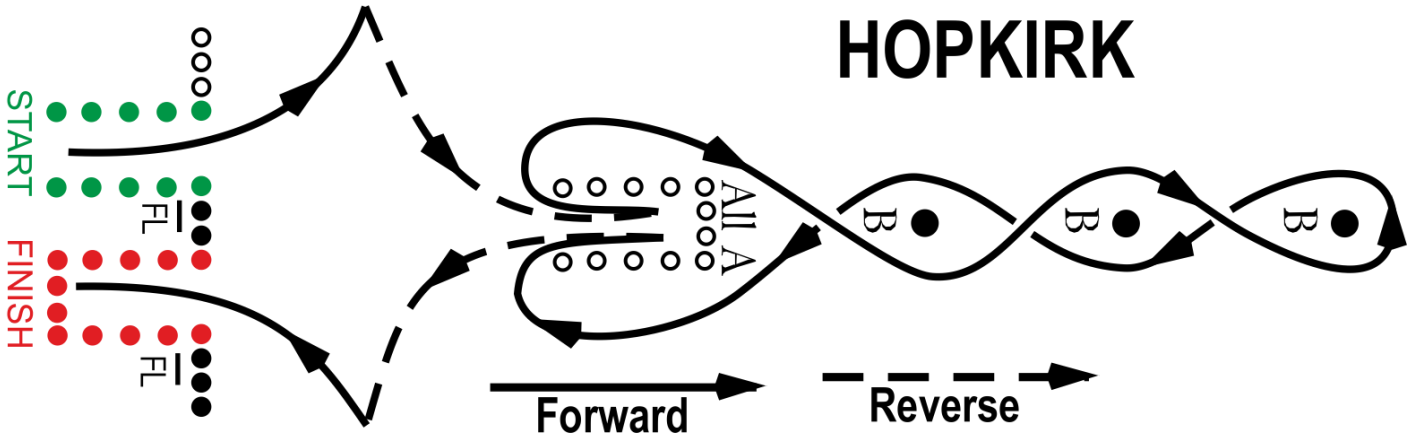
SPIRO SLALOM



BENT SLALOM

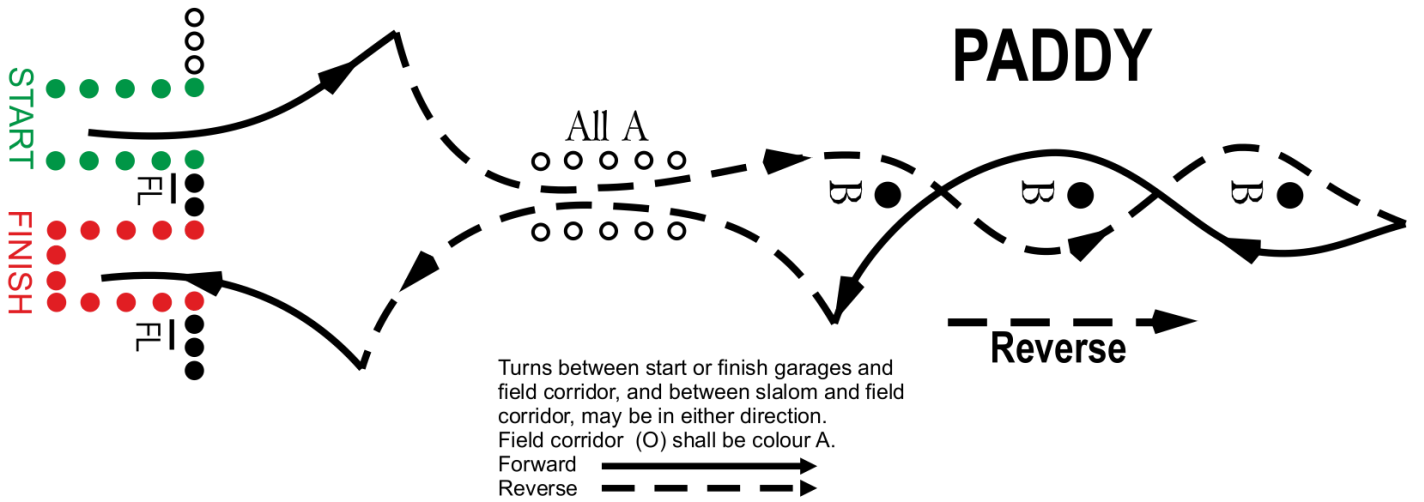




HOPKIRK



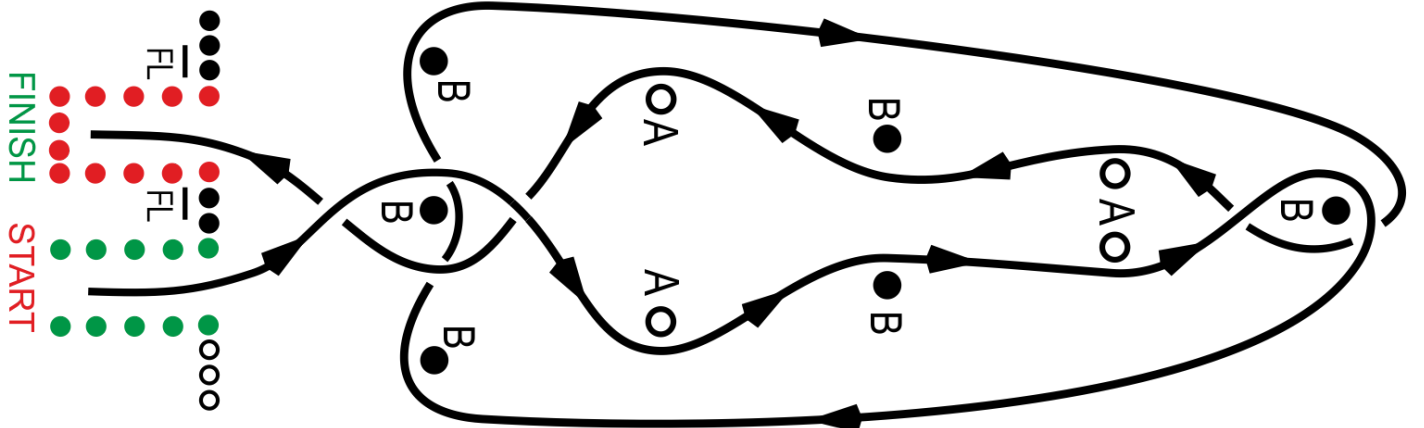
Turns, from forward to reverse and from reverse to forward, may be in either direction.
Field garage (0) shall be colour A.

PADDY



Turns between start or finish garages and field corridor, and between slalom and field corridor, may be in either direction.
Field corridor (O) shall be colour A.
Forward 
Reverse 

ARROWHEAD



PINE TREE

